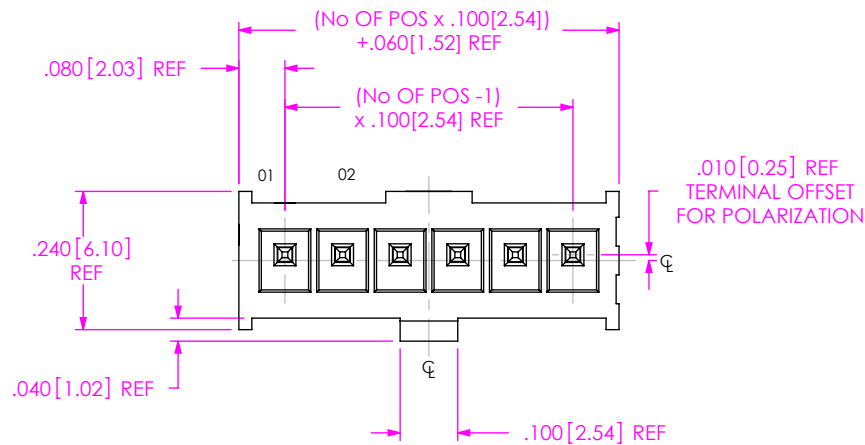


DO NOT SCALE FROM THIS PRINT



IPL1-1XX-XX-XX-S-XX-X

No OF POSITIONS
-02 THRU -10

POLARIZATION OPTION
-K: KEYED POLARIZATION (USE IPL1-XX-S-K) (SEE FIG. 4, SHEET 3)

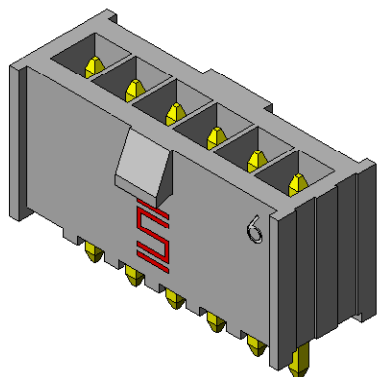
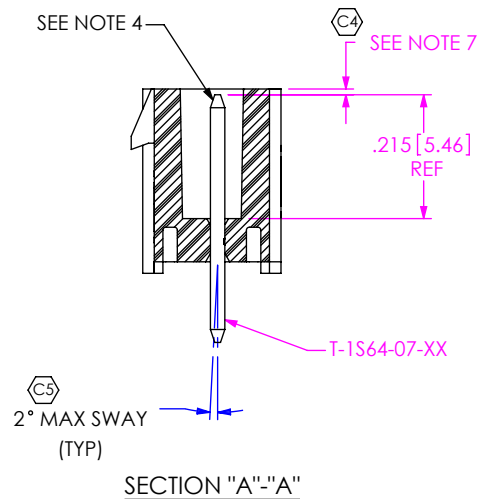
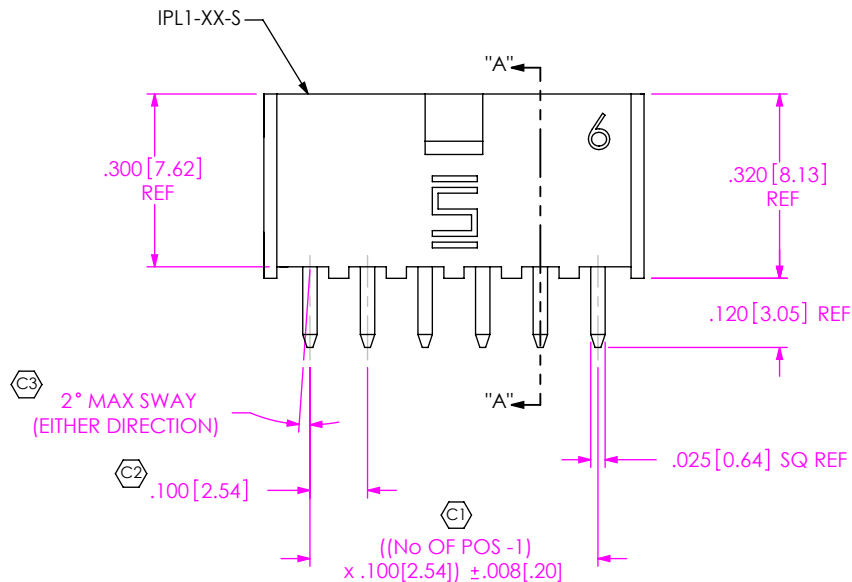
OPTION
-RA: RIGHT ANGLE (SEE FIG. 3, SHT 3) (AVAILABLE WITH -01 LEAD STYLE ONLY)

LEAD STYLE
-01: THROUGH HOLE (USE T-1S64-XX-XX)
-02: SURFACE MOUNT (SEE FIG. 2, SHT 2) (USE T-1S64-XX-XX)

ROW SPECIFICATION
-S: SINGLE (USE IPL1-XX-S)

PLATING SPECIFICATION
-F: FLASH SELECTIVE (USE T-1S64-XX-F)
-L: LIGHT SELECTIVE (USE T-1S64-XX-L)
-S: SELECTIVE (USE T-1S64-XX-S)
-H: HEAVY GOLD (T-1S64-XX-H)
-FM: FLASH SELECTIVE/MATTE TIN TAILS (USE T-1S64-XX-FM)
-LM: LIGHT SELECTIVE/MATTE TIN TAILS (USE T-1S64-XX-LM)
-SM: SELECTIVE/MATTE TIN TAILS (USE T-1S64-XX-SM)

FIG. 1
IPL1-106-01-XX-S SHOWN



- NOTES:
1. Ⓢ REPRESENTS A CRITICAL DIMENSION.
 2. MINIMUM TERMINAL RETENTION: 1 LB [4.45 N].
 3. PARTS TO BE MOLDED TO POSITION.
 4. POST MUST BE WITHIN .005 [0.13] OF EACH OTHER.
 5. ALL PIN TO PIN DIMENSIONS TO BE MEASURED FROM TIP TO TIP.
 6. DIMENSION TO BE MEASURED AT BEND.
 7. TIP TO BE FLUSH TO .015 [0.38] BELOW TOP OF SHROUD.
 8. NOTE DELETED.
 9. PACKAGE ALL POSITIONS.

TABLE 1

LEAD STYLE	OPTION	TERMINAL 1	OAL REF
-01	NONE	T-1S64-07-XX	.430 [10.92]
-01	-RA	T-1S64-09-XX	.530 [13.46]
-02	NONE	T-1S64-08-XX	.445 [11.30]

UNLESS OTHERWISE SPECIFIED, DIMENSIONS ARE IN INCHES. TOLERANCES ARE:
DECIMALS: .XX: ±.01 [0.3] .XXX: ±.005 [0.13] .XXXX: ±.0020 [0.051]
ANGLES: ± 2°

PROPRIETARY NOTE
THIS DOCUMENT CONTAINS INFORMATION CONFIDENTIAL AND PROPRIETARY TO SAMTEC, INC. AND SHALL NOT BE REPRODUCED OR TRANSFERRED TO OTHER DOCUMENTS OR DISCLOSED TO OTHERS OR USED FOR ANY PURPOSE OTHER THAN THAT WHICH IT WAS OBTAINED WITHOUT THE EXPRESSED WRITTEN CONSENT OF SAMTEC, INC.

STANDARD INSULATOR: LCP, COLOR: BLACK
-K INSULATOR: LCP, COLOR: NATURAL
TERMINAL: PHOS BRONZE

SHEET SCALE: 3:1

DESCRIPTION:
.100 [2.54] SINGLE ROW TERMINAL ASSEMBLY

DWG. NO.
IPL1-1XX-XX-XX-S-XX-X

BY: D PURVIS 05/02/2005 **SHEET 1 OF 3**

520 PARK EAST BLVD, NEW ALBANY, IN 47150
PHONE: 812-944-6733 FAX: 812-948-5047
e-Mail: info@SAMTEC.com code: 55322



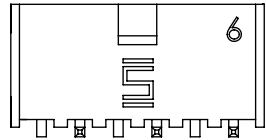
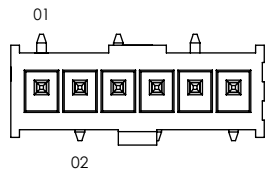
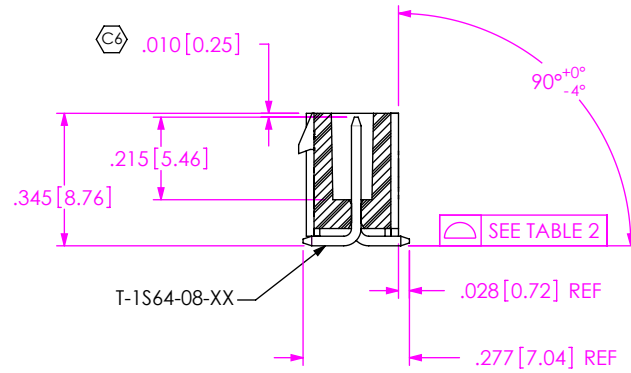


FIG. 2
STYLE -02: SURFACE MOUNT
 IPL1-106-02-XX-S SHOWN
 [DIFFERENT AS SHOWN, OTHERWISE SAME AS FIG. 1]



-02: SURFACE MOUNT IN-PROCESS 1

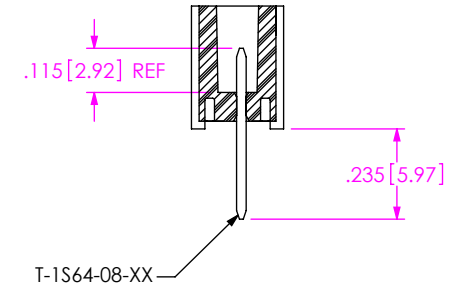
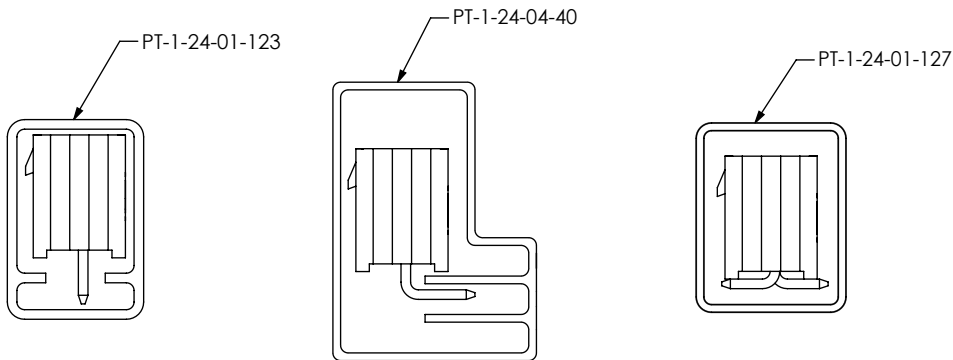


TABLE 2

No OF POS.	COPLANARITY
-02 THRU -05	.004[0.10]
-06 THRU -10	.005[0.13]

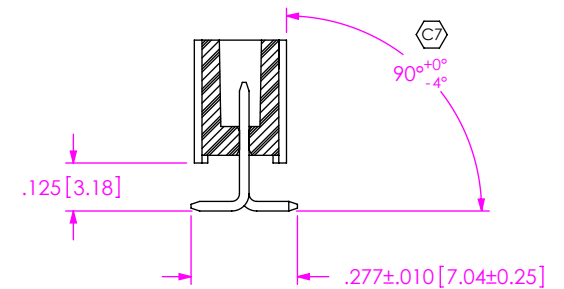
PACKAGING VIEWS
 (PARTS TO HAVE POSITION #1 LOADED
 IN SAME DIRECTION AS ARROW ON TUBE)



PACKAGING TABLE

LEAD STYLE	OPTION	PACKAGING TUBE	PLUG
-01	NONE	PT-1-24-01-123	TP-09
-01	-RA	PT-1-24-04-40	TP-07
-02	NONE	PT-1-24-01-127	TP-07

-02: SURFACE MOUNT IN-PROCESS 2



F:\DWG\MISC\MKTG\IPL1-1XX-XX-XX-S-XX-X-MKT.SLDDRW

PROPRIETARY NOTE
 THIS DOCUMENT CONTAINS INFORMATION
 CONFIDENTIAL AND PROPRIETARY TO
 SAMTEC, INC. AND SHALL NOT BE REPRODUCED
 OR TRANSFERRED TO OTHER DOCUMENTS OR
 DISCLOSED TO OTHERS OR USED FOR ANY
 PURPOSE OTHER THAN THAT WHICH IT WAS
 OBTAINED WITHOUT THE EXPRESSED WRITTEN
 CONSENT OF SAMTEC, INC.

DO NOT SCALE DRAWING

SHEET SCALE: 2:1



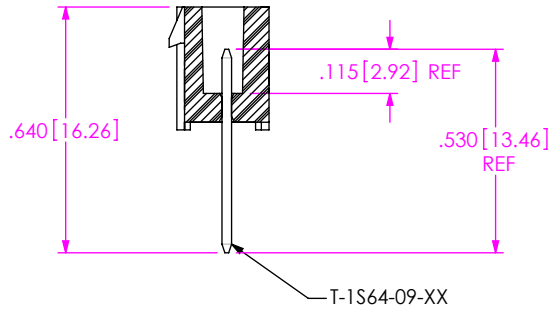
520 PARK EAST BLVD, NEW ALBANY, IN 47150
 PHONE: 812-944-6733 FAX: 812-948-5047
 e-Mail: info@SAMTEC.com code: 55322

DESCRIPTION:
 .100[2.54] SINGLE ROW TERMINAL ASSEMBLY

DWG. NO.
IPL1-1XX-XX-XX-S-XX-X

BY: D PURVIS 05/02/2005 SHEET 2 OF 3

-RA: IN-PROCESS 1



-RA: IN-PROCESS 2

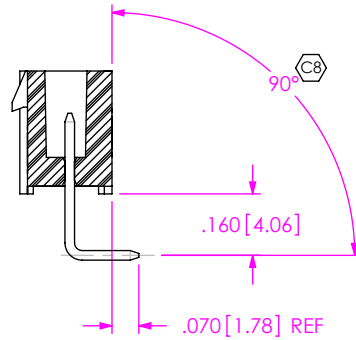


FIG. 4
 -K: KEYED POLARIZATION
 (IPL1-106-01-XX-S-K SHOWN)
 (SAME AS FIG. 1 UNLESS OTHERWISE STATED)

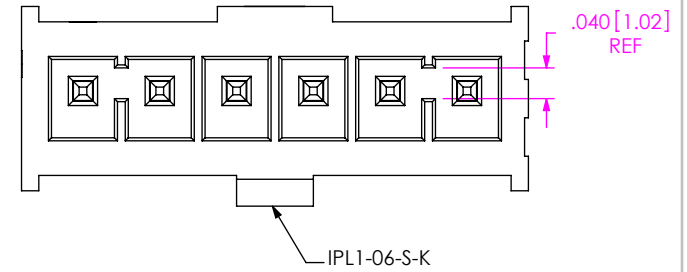
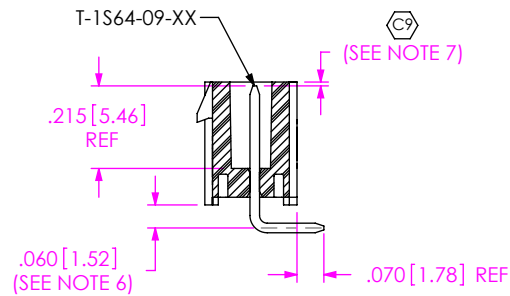
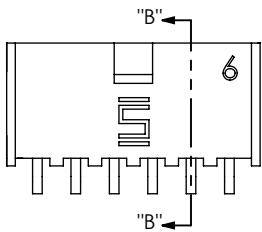
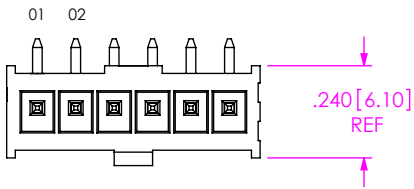


FIG. 3

-RA: RIGHT ANGLE
 IPL1-106-01-XX-S-RA SHOWN
 [DIFFERENT AS SHOWN, OTHERWISE SAME AS FIG. 1]



SECTION "B"- "B"

PROPRIETARY NOTE
 THIS DOCUMENT CONTAINS INFORMATION
 CONFIDENTIAL AND PROPRIETARY TO
 SAMTEC, INC. AND SHALL NOT BE REPRODUCED
 OR TRANSFERRED TO OTHER DOCUMENTS OR
 DISCLOSED TO OTHERS OR USED FOR ANY
 PURPOSE OTHER THAN THAT WHICH IT WAS
 OBTAINED WITHOUT THE EXPRESSED WRITTEN
 CONSENT OF SAMTEC, INC.

DO NOT SCALE DRAWING

SHEET SCALE: 2:1



520 PARK EAST BLVD, NEW ALBANY, IN 47150
 PHONE: 812-944-6733 FAX: 812-948-5047
 e-Mail: info@SAMTEC.com code: 55322

DESCRIPTION:
 .100[2.54] SINGLE ROW TERMINAL ASSEMBLY

DWG. NO.
IPL1-1XX-XX-XX-S-XX-X

BY: D PURVIS 05/02/2005 SHEET 3 OF 3